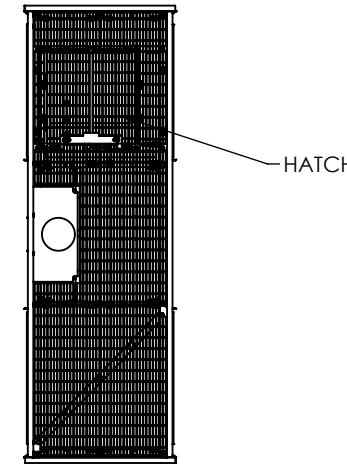
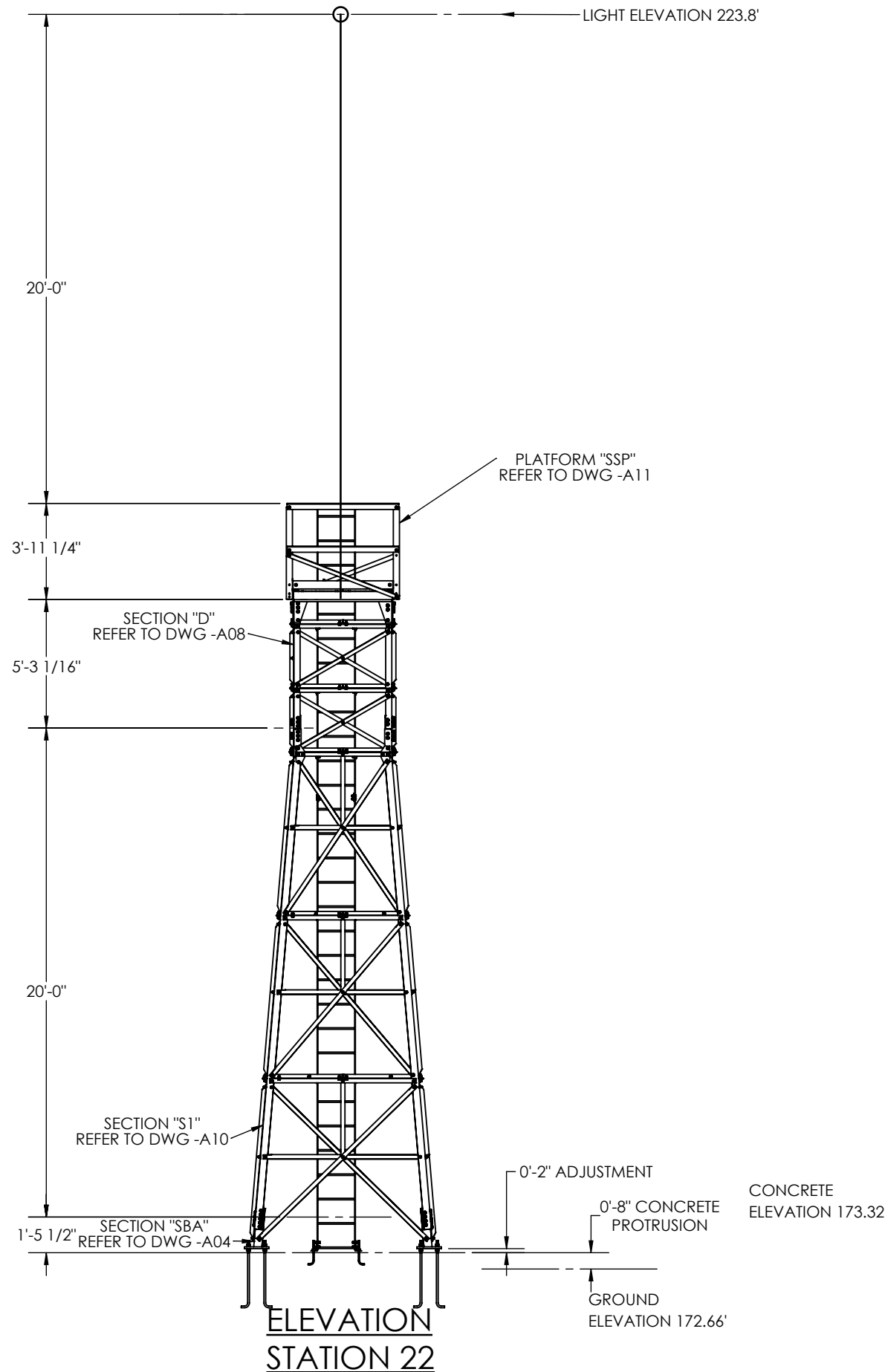
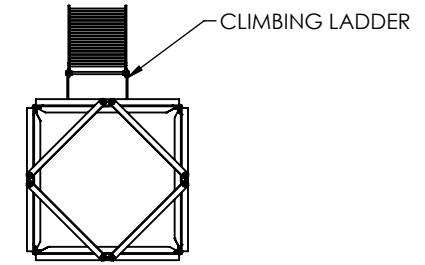


REVISIONS			
REV.	DESCRIPTION	DATE	APP'D
-	PRINT RELEASE	6/6/2023	L.S.



PLATFORM PLAN



TYPICAL CROSS-SECTION

GENERAL NOTES:

- TOWERS ARE DESIGNED TO CONFORM TO THE REQUIREMENTS OF ANSI/TIA-222-H WITH THE FOLLOWING CONDITIONS:
 MAIN WIND SPEED = 122mph
 DESIGN ICE THICKNESS = 1/2" RADIAL
 RISK FACTOR IV
 TOPOGRAPHIC FACTOR = 1.0
 EXPOSURE CATEGORY C
- USE MS-20 FIBERGLASS MAST PER CONTRACT DOCUMENTS
- ALL STRUCTURAL STEEL ANGLE LEG MEMBERS, PLATES, BARS, RODS, ANGLES, SHAPES, ETC. SHALL CONFORM TO THE REQUIREMENTS OF ASTM-572-50 (50ksi YIELD STRENGTH MATERIAL).
- ALL STRUCTURAL STEEL MEMBERS SHALL BE HOT-DIPPED GALVANIZED, AFTER FABRICATIONS, AND CONFORM TO THE REQUIREMENTS OF ASTM-A123.
- ALL STRUCTURAL STEEL BOLTS AND BOLTED CONNECTIONS SHALL BE HOT-DIPPED GALVANIZED AND CONFORM TO THE REQUIREMENTS OF ASTM-A325. BOLTS SHALL BE TIGHTENED USING SNUG-TIGHT JOINTS METHOD AS DEFINED BY A.I.S.C.'S STEEL CONSTRUCTION MANUAL, 15TH EDITION. ALL STRUCTURAL BOLT ASSEMBLIES SHALL INCLUDE AN APPROPRIATELY SIZED JAM NUT.
- ALL WELDED CONNECTIONS SHALL CONFORM TO THE LATEST REVISED CODE OF THE AMERICAN WELDING SOCIETY: A.W.S.-D1.1.

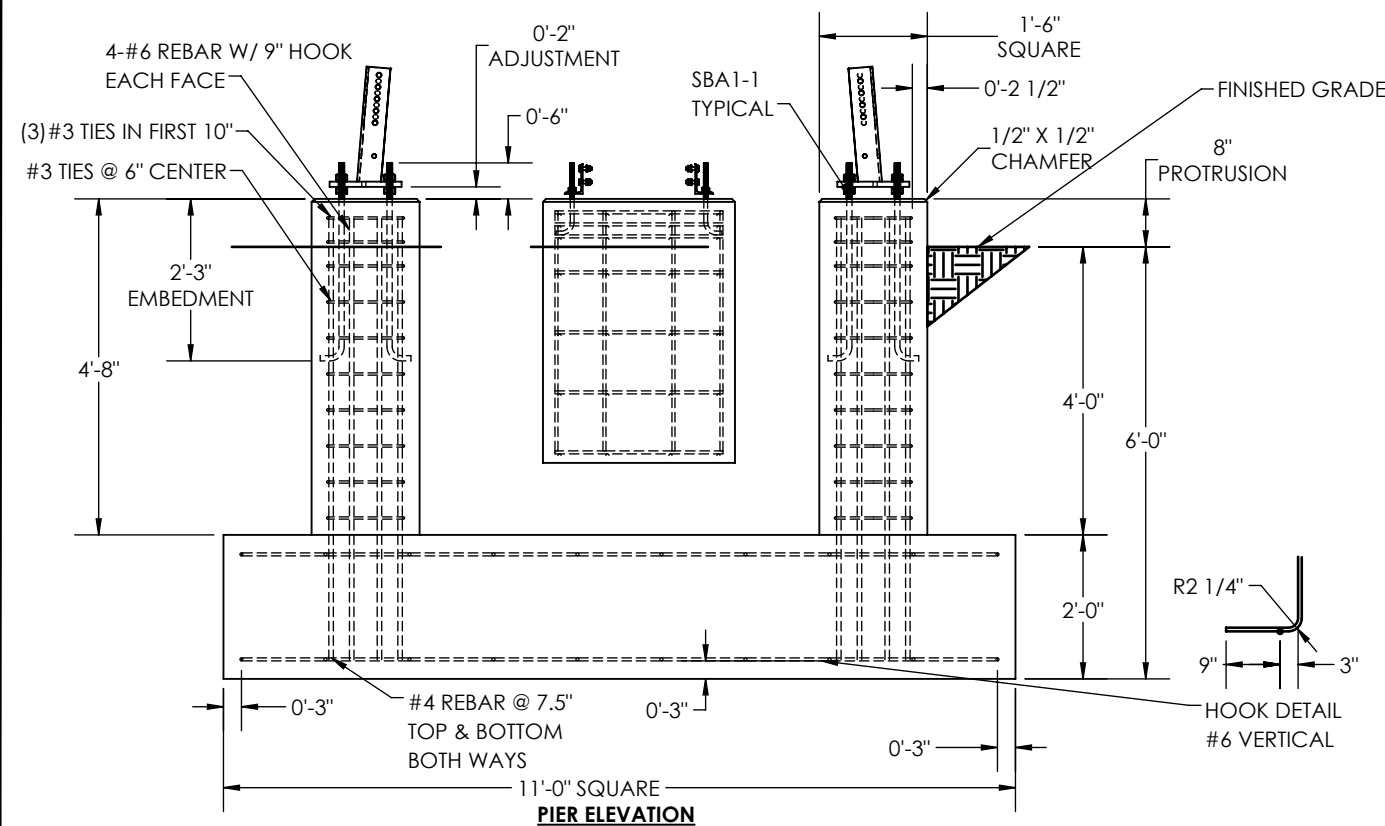
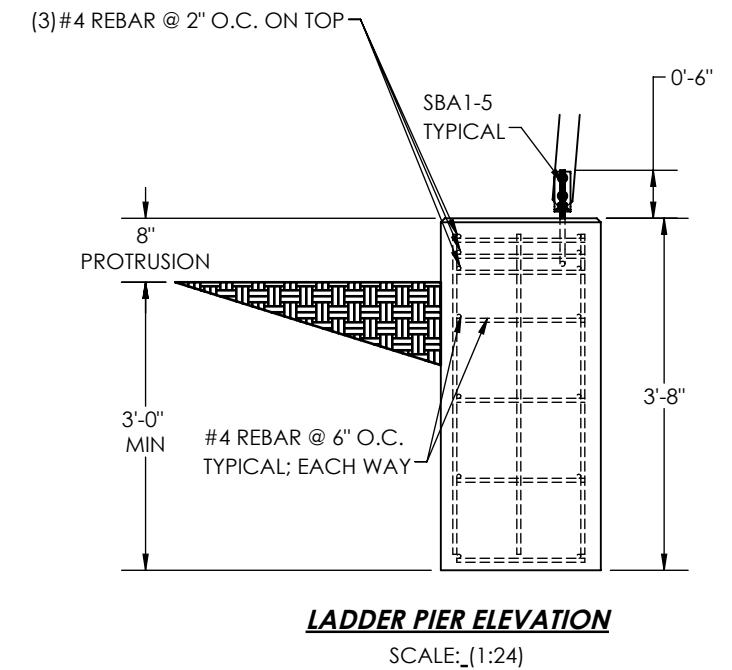
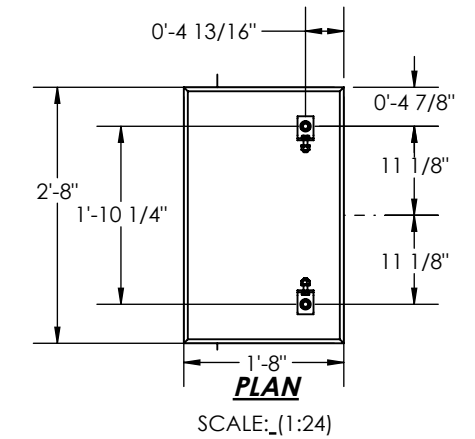
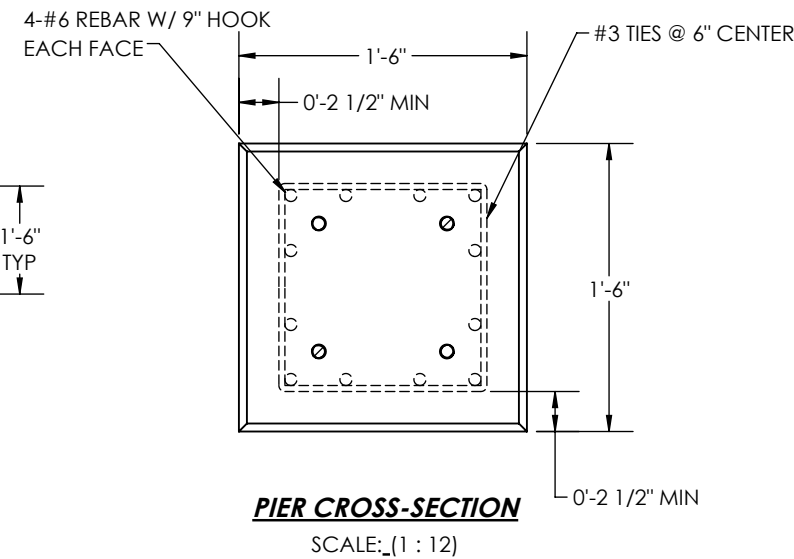
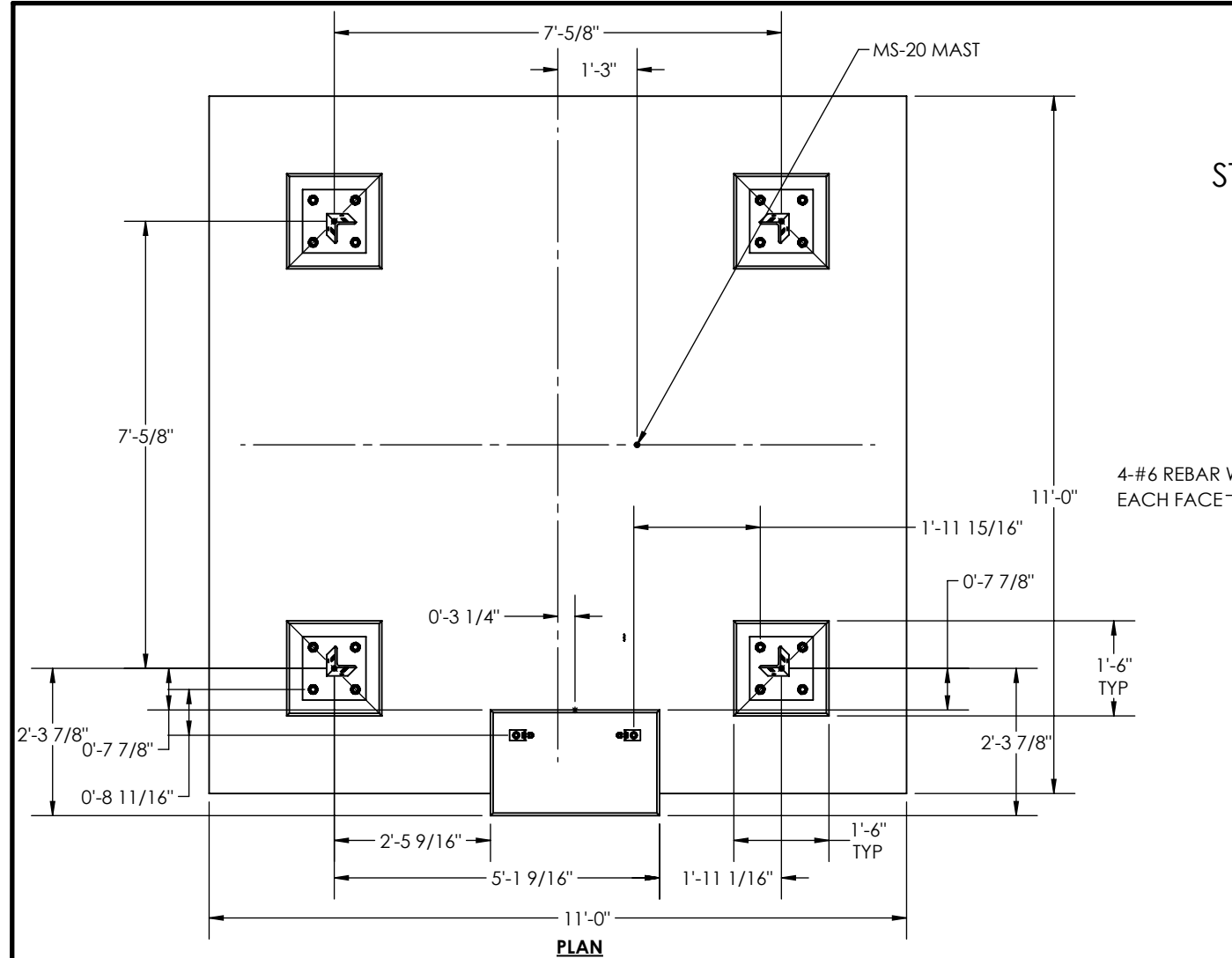
LEGS	HORIZONTALS	DIAGONALS
3-1/2 x 3-1/2 x 1/4 L	3 X 3 X 5/16 L	A572-50 (50ksi)
2 X 2 X 3/16 L	2 X 2 X 1/8 L	A572-50 (50ksi)
2 X 2 X 3/16 L; X-BRACED		A572-50 (50ksi)

CUSTOMER: **SWAGER COMMUNICATIONS INC.**
 TITLE: ELEVATION DRAWING STATION 22+00
 DWG. NO.: **4024-23-A01**
 SCALE: 1:70
 SHEET: 3 OF 4
 REV. DATE:

PROPRIETARY AND CONFIDENTIAL
 THE INFORMATION CONTAINED IN THIS DRAWING IS THE SOLE PROPERTY OF SWAGER COMMUNICATIONS, INC. ANY REPRODUCTION IN PART OR AS A WHOLE WITHOUT THE WRITTEN PERMISSION OF SWAGER COMMUNICATIONS, INC. IS PROHIBITED.

REVISIONS			
REV.	DESCRIPTION	DATE	APP'D
-	PRINT RELEASE	6/5/2023	L.S.

STATION 22



NOTE:

- FOUNDATION DESIGN IS BASED UPON 3,000psf ALLOWABLE SOIL BEARING PRESSURE.
- ALL REINFORCING BAR (REBAR) SHALL BE DEFORMED AND CONFORM TO THE REQUIREMENTS OF ASTM-615, USING GRADE 60 REBAR AND SHALL HAVE A MINIMUM OF 0'-2 1/2" CONCRETE COVERAGE.
- ALL CONCRETE WORK INCLUDING FORMING, REINFORCING, MIXING PLACING, AND CURING SHALL BE IN ACCORDANCE WITH ACI-318 BUILDING CODE REQUIREMENTS FOR STRUCTURAL CONCRETE AND ACI-301 SPECIFICATIONS FOR STRUCTURAL CONCRETE.
- FOLLOW RECOMMENDATIONS OF ACI-305A WHEN CONCRETING DURING HOT WEATHER AND ACI-306R WHEN CONCRETING DURING COLD WEATHER.
- CONCRETE COMPRESSIVE STRENGTH: 3 ksi
- DRY CONCRETE DENSITY: 150 LB/FT³
- CONTRACTOR SHALL APPLY SIKADUR 32 HI MOD ADHESIVE (OR ENGINEER APPROVED EQUIVALENT) BETWEEN THE PAD AND PIER COLD JOINT. FOLLOW ALL MANUFACTURER INSTRUCTIONS AND RECOMMENDATIONS.
- ALL FOUNDATIONS SHALL REST ON AND AGAINST FIRM UNDISTURBED SOILD FREE FROM WATER, ORGANIC MATTER, AND FORM WORK. CONTRACTOR SHALL COMPACT SUBGRADE AS REQUIRED.
- BACKFILL SHALL BE CLEAN, FREE OF DEBRIS, AND ORGANIC FREE. CONTRACTOR SHALL UTILIZE CLEAN FILL AS REQUIRED (MIN. UNIT WEIGHT - 115 PCF). ALL BACKFILL SHALL BE CONTROLLED-COMPACTED, PLACED IN A MAXIMUM OF 8" LIFTS, MOISTURE CONDITIONED TO WITHIN THREE PERCENT OF OPTIMUM MOISTURE, AND COMPACTED TO 95% OF STANDARD PROCTOR MAXIMUM DRY DENSITY PER ASTM D698.
- LADDER PIER MAY VARY PER SITE CONDITIONS

REV	TITLE: FOUNDATION LAYOUT	SITE: MONTGOMERY, AL	CUSTOMER: NAVCON
DWG. NO.: 4024-23-A02	DRAWN: K.HOOS	6/5/2023	PROPRIETARY AND CONFIDENTIAL
SHEET: 3 OF 4	CHECKED:		THE INFORMATION CONTAINED IN THIS DRAWING IS THE SOLE PROPERTY OF SWAGER COMMUNICATIONS, INC. ANY REPRODUCTION IN PART OR AS A WHOLE WITHOUT THE WRITTEN PERMISSION OF SWAGER COMMUNICATIONS, INC. IS PROHIBITED.
REV. DATE:	SCALE: 1:32		